

4

3

2

1

THIS DRAWING IS UNPUBLISHED.

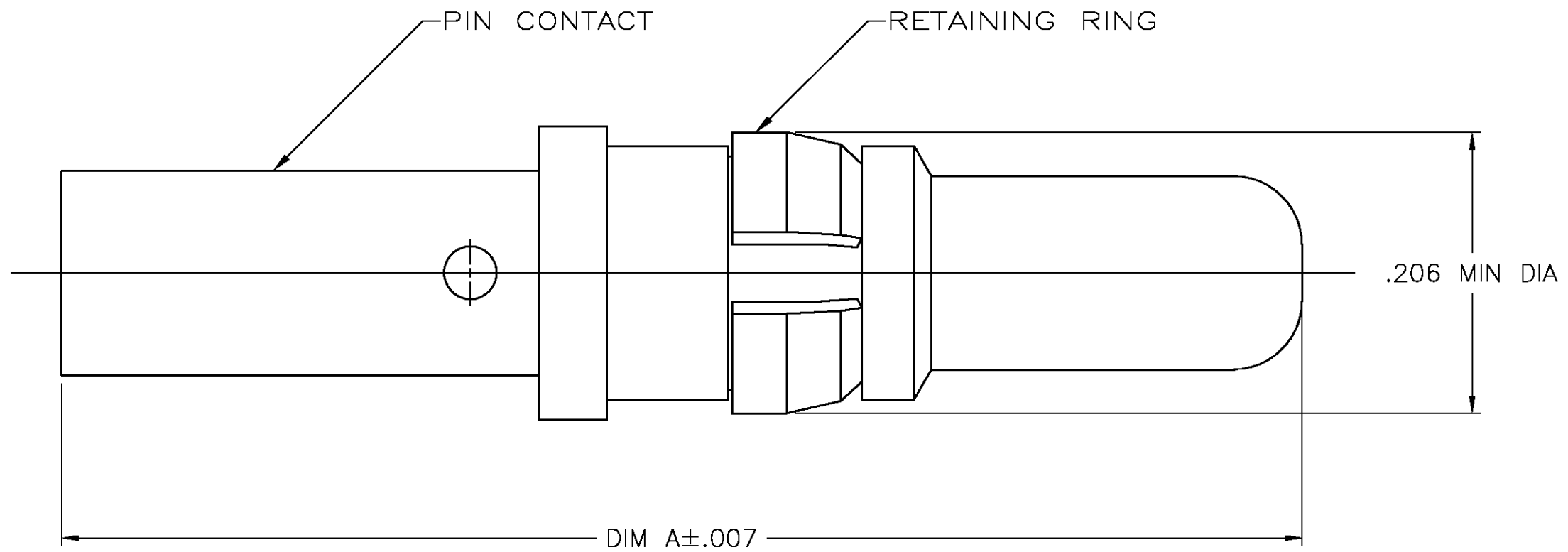
RELEASED FOR PUBLICATION

© COPYRIGHT - BY TYCO ELECTRONICS CORPORATION. ALL RIGHTS RESERVED.

LOC
FTDIST
0

REVISIONS

P	LTR	DESCRIPTION	DATE	DWN	APVD
	E	REVISED PER 0G3B-0280-05	3/16/05	SS	GS



.950	213662-2
.910	213662-1
DIM A	PART NUMBER

1. WIRE BARREL WILL ACCEPT 12-14 AWG WIRE.



PIN CONTACT: BRASS.

RING RETAINING: PHOSPHOR BRONZE.



0.76 μm [.000030] MIN GOLD OVER

1.27 μm [.000050] MIN NICKEL.



1.27 μm [.000050] MIN NICKEL.

THIS DRAWING IS A CONTROLLED DOCUMENT.		DWN C DORWART 03/19/91	Tyco Electronics Corporation Harrisburg, Pa 17105-3608			
DIMENSIONS: INCHES		CHK J McCLINTON 3-25-91				
TOLERANCES UNLESS OTHERWISE SPECIFIED:		APVD A TRAVIS 3-25-91	NAME PIN CONTACT ASSEMBLY, POWER VIII, METRIMATE			
0 PLC ± - 1 PLC ± - 2 PLC ± - 3 PLC ± .005 4 PLC ± - ANGLES ± -		PRODUCT SPEC -	-			
MATERIAL -		APPLICATION SPEC -	-			
FINISH PIN CONTACT: 3 RING RETAINING: 4		WEIGHT -	SIZE A3	CAGE CODE 00779	DRAWING NO C-213662	RESTRICTED TO -
CUSTOMER DRAWING			SCALE 10:1	SHEET 1 OF 1	REV E	